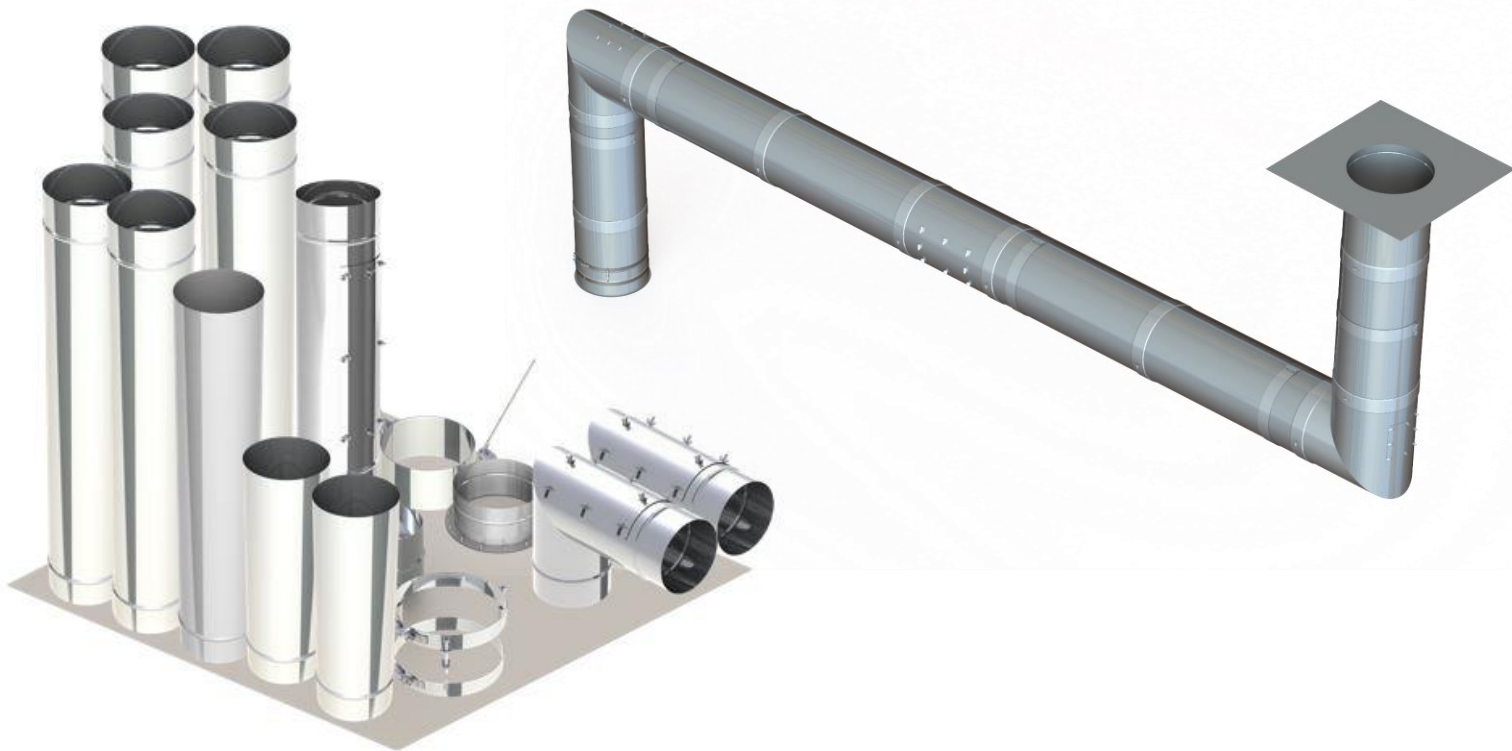


Grease Duct Spec

Model:

SW-NAKS-KIT005

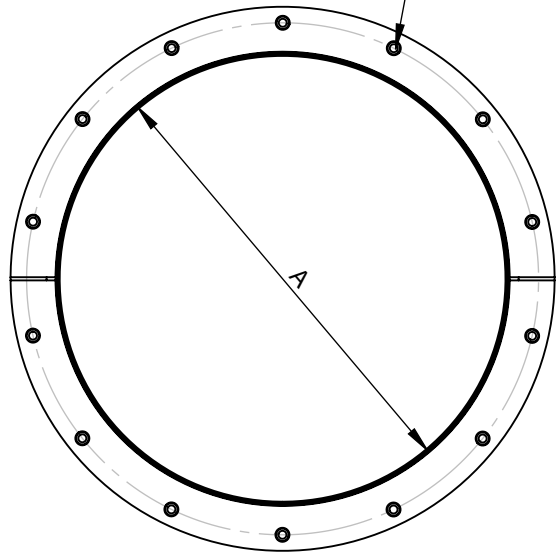
Single Wall Conical 12"
with Two Elbows



1 2 3 4

1/4" X 1" BOLTS

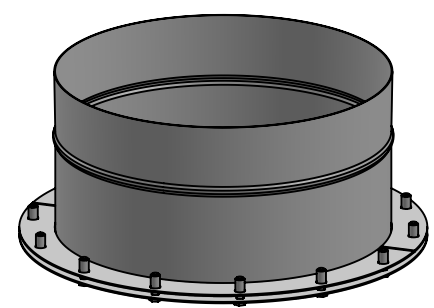
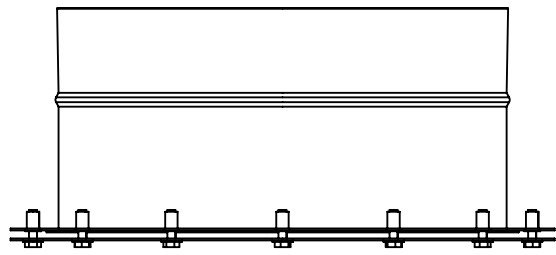
A



B


C

D



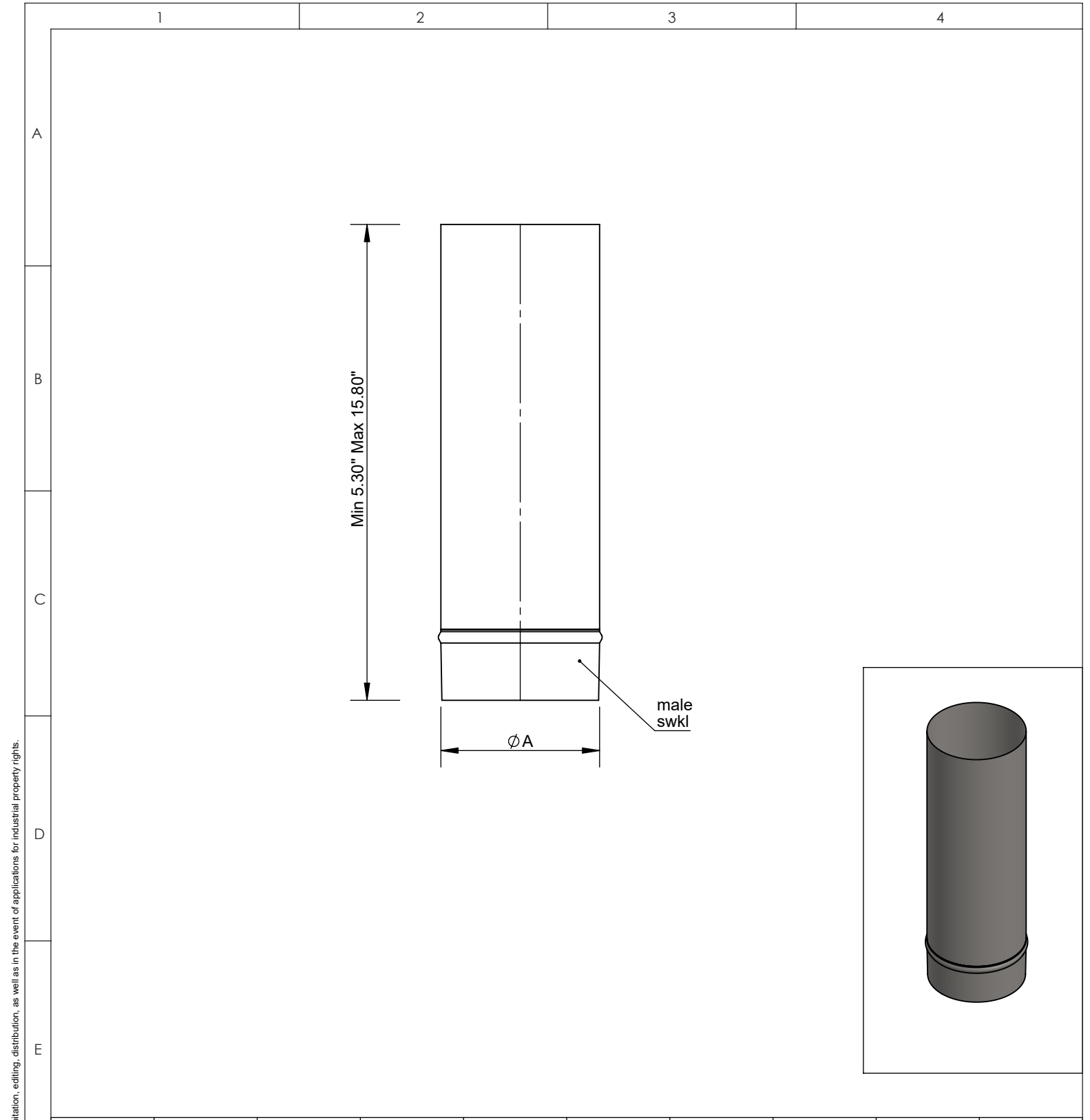
E

Ø	10	11	12	13	14	16	18	20	22
A	10	11	12	13	14	16	18	20	22



material: inside/outside	304	surface: inside/outside	BA	inch / lb		 NORTH AMERICAN KITCHEN SOLUTIONS INCORPORATED	scale	
				revisions-no.			format	
				date	name		description	US LETTER
				drawn by			No Weld Hood Adapter	sheet
				checked by			code	
approved by		SWNAKSØ-NWHA						
modified by		drawing no.						

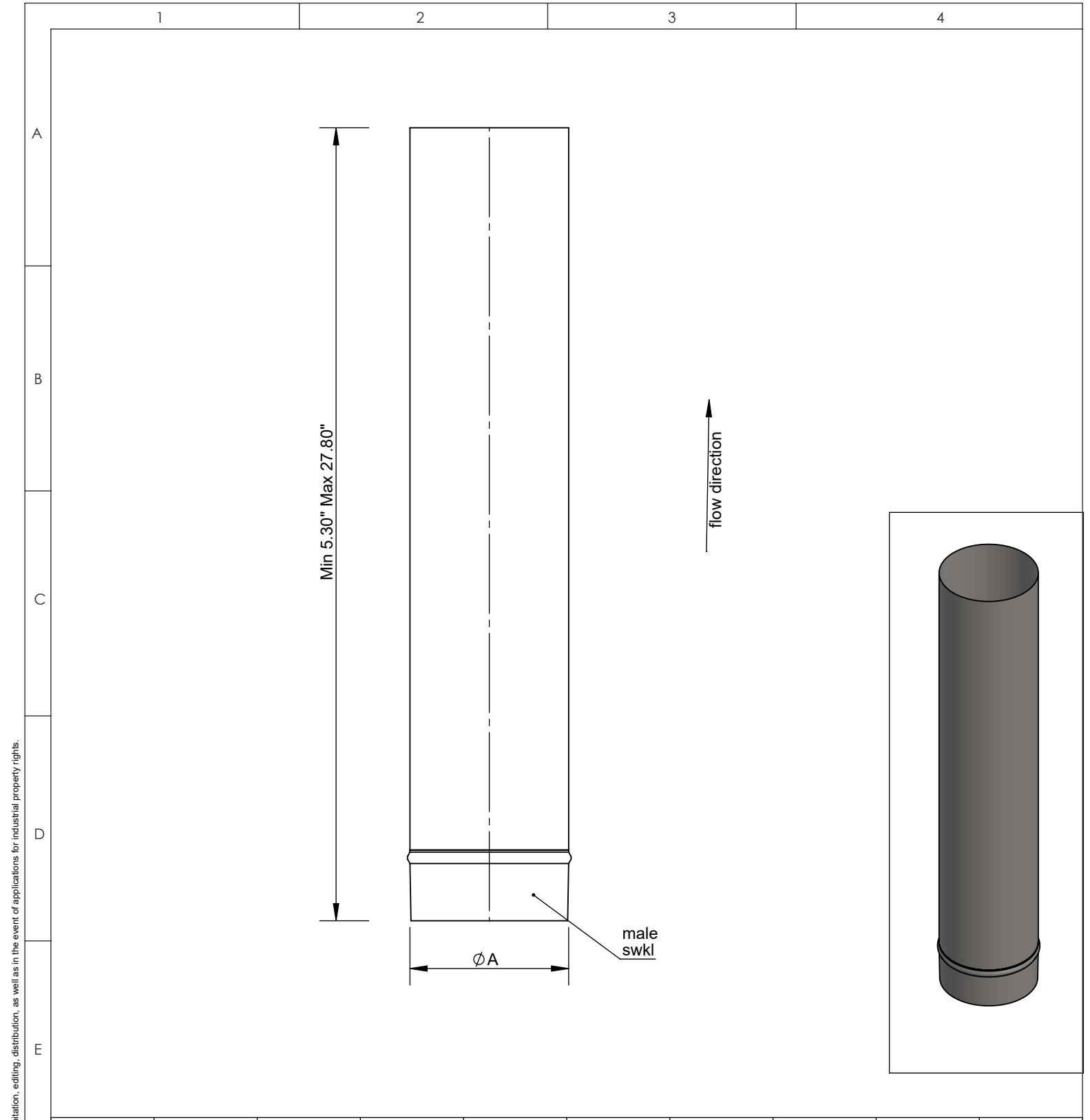


© NAKS Inc. All rights reserved, also regarding any disposal, exploitation, editing, distribution, as well as in the event of applications for industrial property rights.





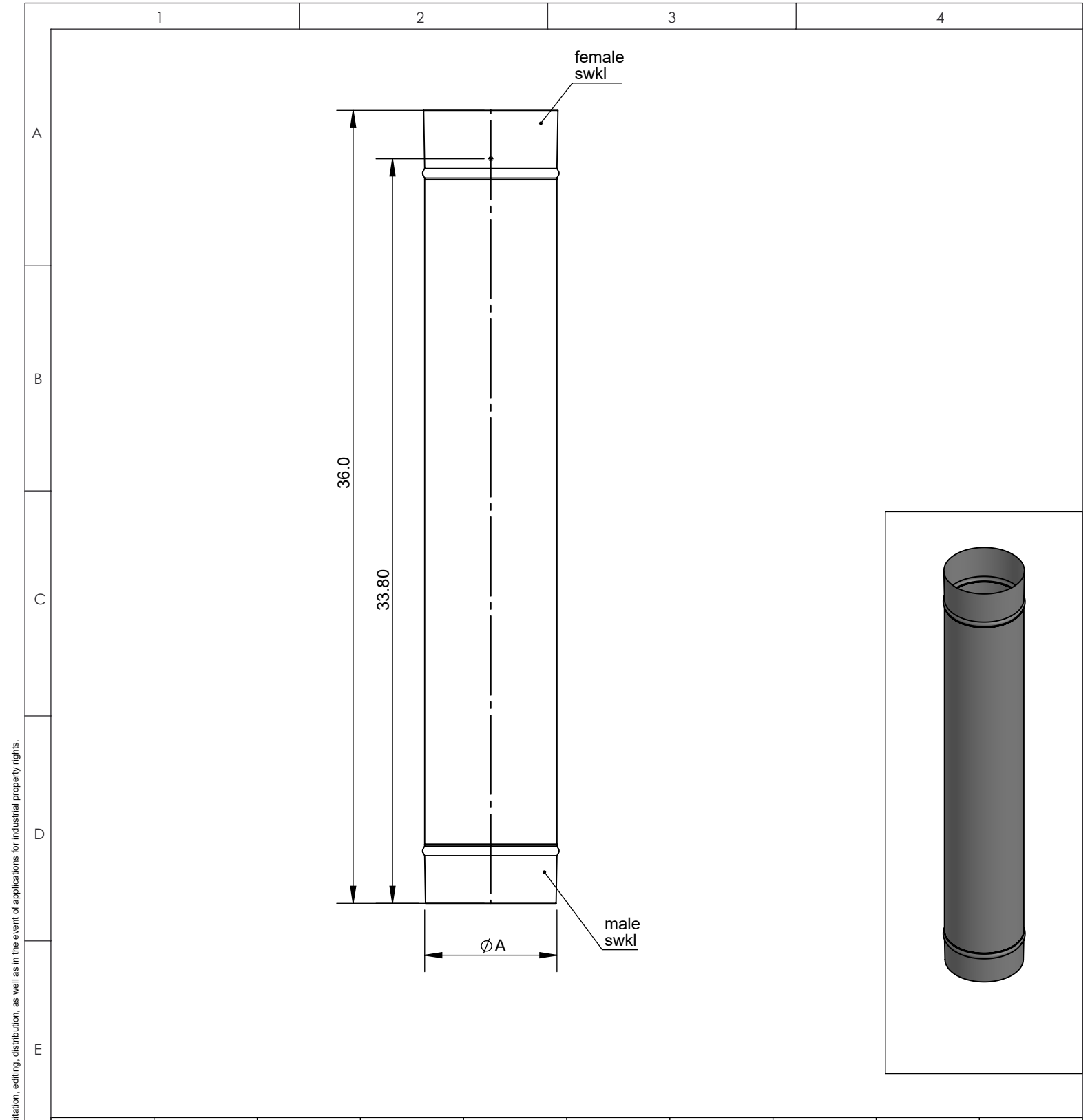
© NAKS Inc. All rights reserved, also regarding any disposal, exploitation, editing, distribution, as well as in the event of applications for industrial property rights.

ϕ	10	11	12	13	14	16	18	20	22		
A	10	11	12	13	14	16	18	20	22		
material: inside/outside	304		surface: inside/outside	BA		inch / lb				 NORTH AMERICAN KITCHEN SOLUTIONS INCORPORATED	scale
			revisions-no.		A				format		
F			date	name		description KAB 18" Cut Length				US LETTER	
			drawn by							sheet	
			checked by								
			approved by			code					
		modified by			SWNAKSØ-18CL						
						drawing no.					





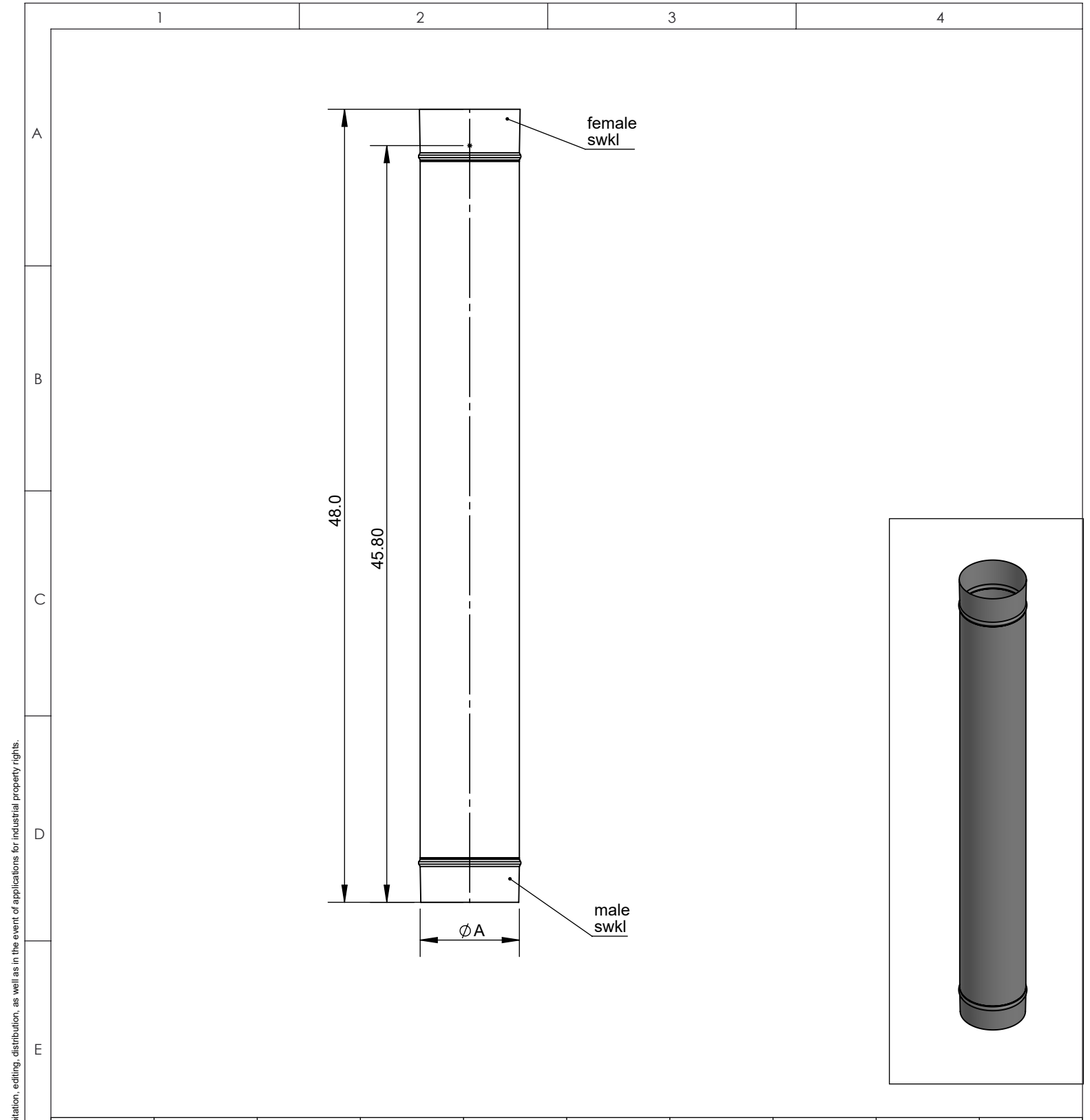
© NAKS Inc. All rights reserved, also regarding any disposal, exploitation, editing, distribution, as well as in the event of applications for industrial property rights.

	Ø	10	11	12	13	14	16	18	20	22	
	A	10	11	12	13	14	16	18	20	22	
F	material: inside/outside	304		surface: inside/outside	BA		inch / lb				scale
	revisions-no.						 NORTH AMERICAN KITCHEN SOLUTIONS INCORPORATED				
	description		30" Cut Length		format						US LETTER
	drawn by				sheet						
	checked by				code		SWNAKSØ-30CL				
approved by				drawing no.							
modified by											
											





© NAKS Inc. All rights reserved, also regarding any disposal, exploitation, editing, distribution, as well as in the event of applications for industrial property rights.

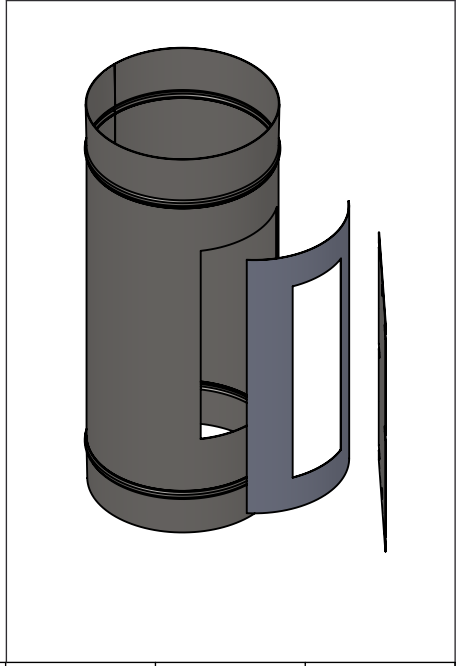
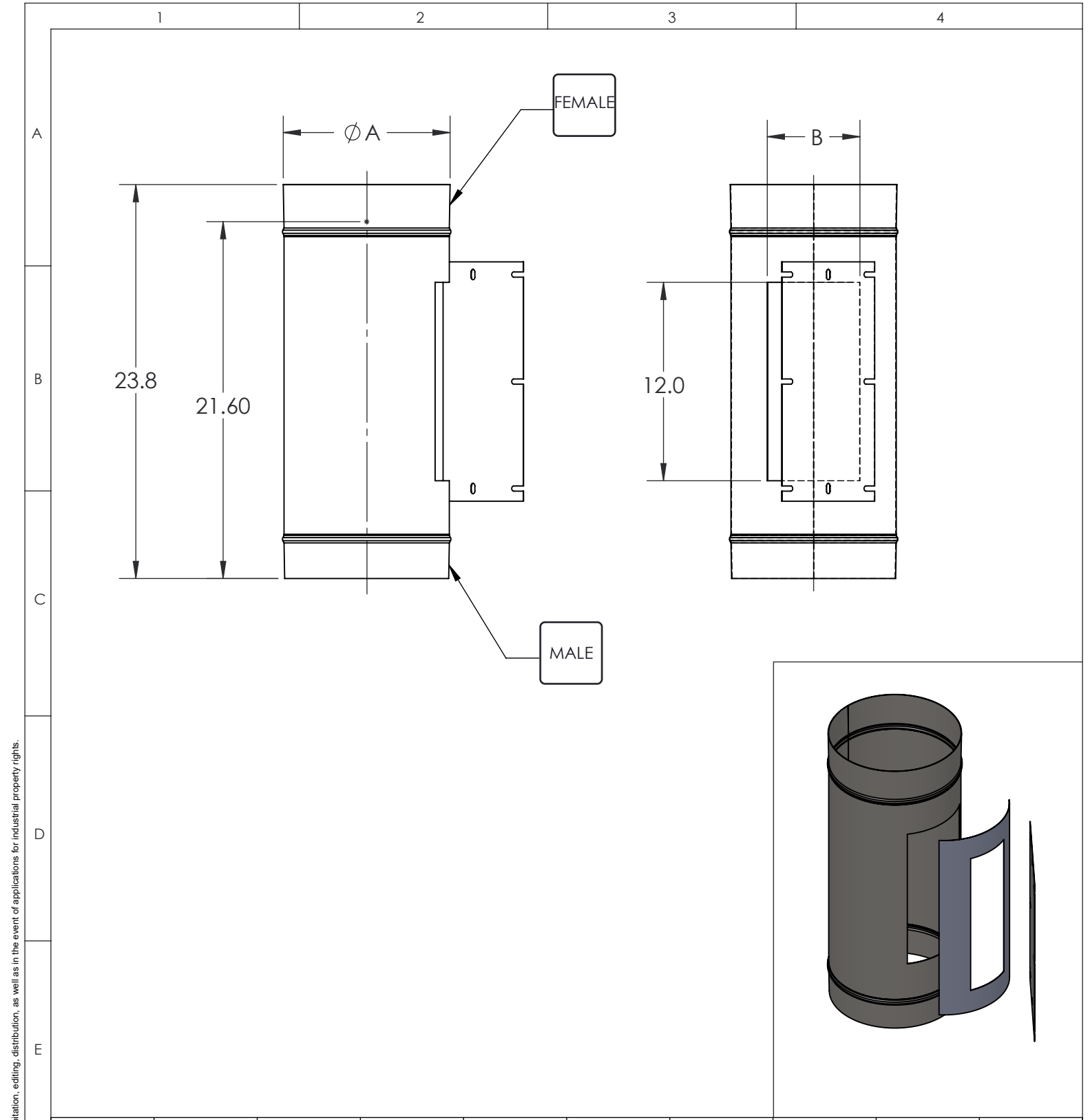
	Ø	10	11	12	13	14	16	18	20	22	
	A	10	11	12	13	14	16	18	20	22	
F	material: inside/outside	304		surface: inside/outside	BA		inch / lb				scale
				revisions-no.		 NORTH AMERICAN KITCHEN SOLUTIONS INCORPORATED				format US LETTER	
				date	name					description 36" Fixed Length	
					drawn by		code SWNAKSØ-36L				
					checked by		drawing no.				
				approved by							
				modified by							





Ø	10	11	12	13	14	16	18	20	22
A	10	11	12	13	14	16	18	20	22

F	material: inside/outside	304	surface: inside/outside	BA	inch / lb				 NORTH AMERICAN KITCHEN SOLUTIONS INCORPORATED	scale
	revisions-no.									format US LETTER
			date	name	description 48" Fixed Length				sheet	
			drawn by						code SWNAKSØ-48L	
			checked by							
		approved by						drawing no.		
		modified by								

© NAKS Inc. All rights reserved, also regarding any disposal, exploitation, editing, distribution, as well as in the event of applications for industrial property rights.



© NAKS Inc. All rights reserved, also regarding any disposal, exploitation, editing, distribution, as well as in the event of applications for industrial property rights.

\emptyset	10	11	12	13	14	16	18	20	22	
A	10	11	12	13	14	16	18	20	22	
material: inside/outside	304	surface: inside/outside	BA	inch / lb		 NORTH AMERICAN KITCHEN SOLUTIONS INCORPORATED				scale
				revisions-no.						description
F			date	name						sheet
			drawn by							
			checked by							
			approved by							
		modified by								
					code	SWNAKSØ-IAD				
					drawing no.					

1

2

3

4

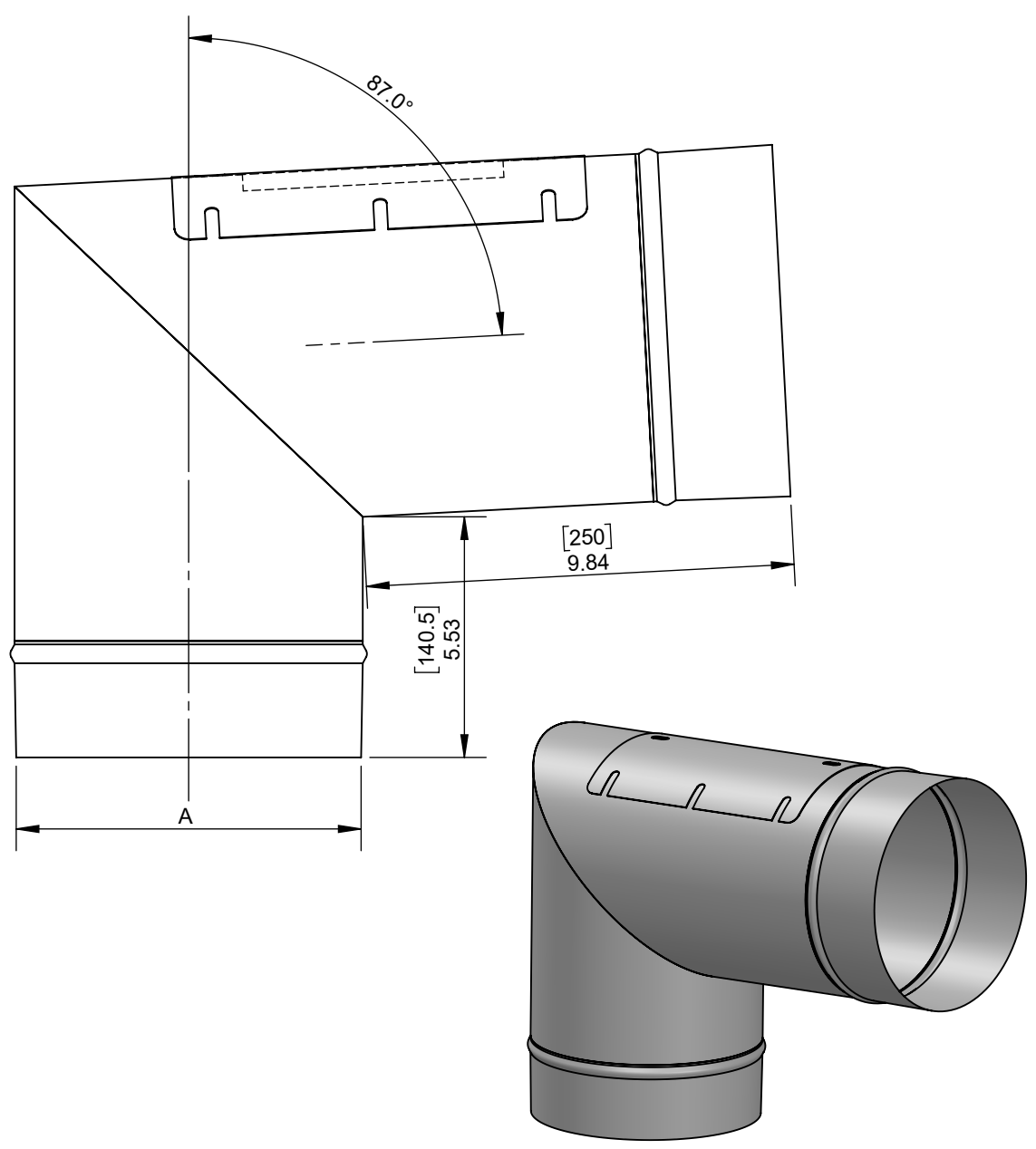
A

B

C

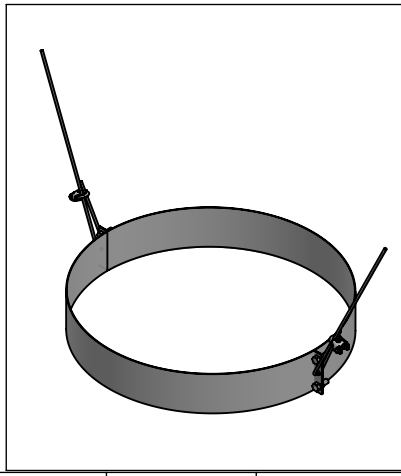
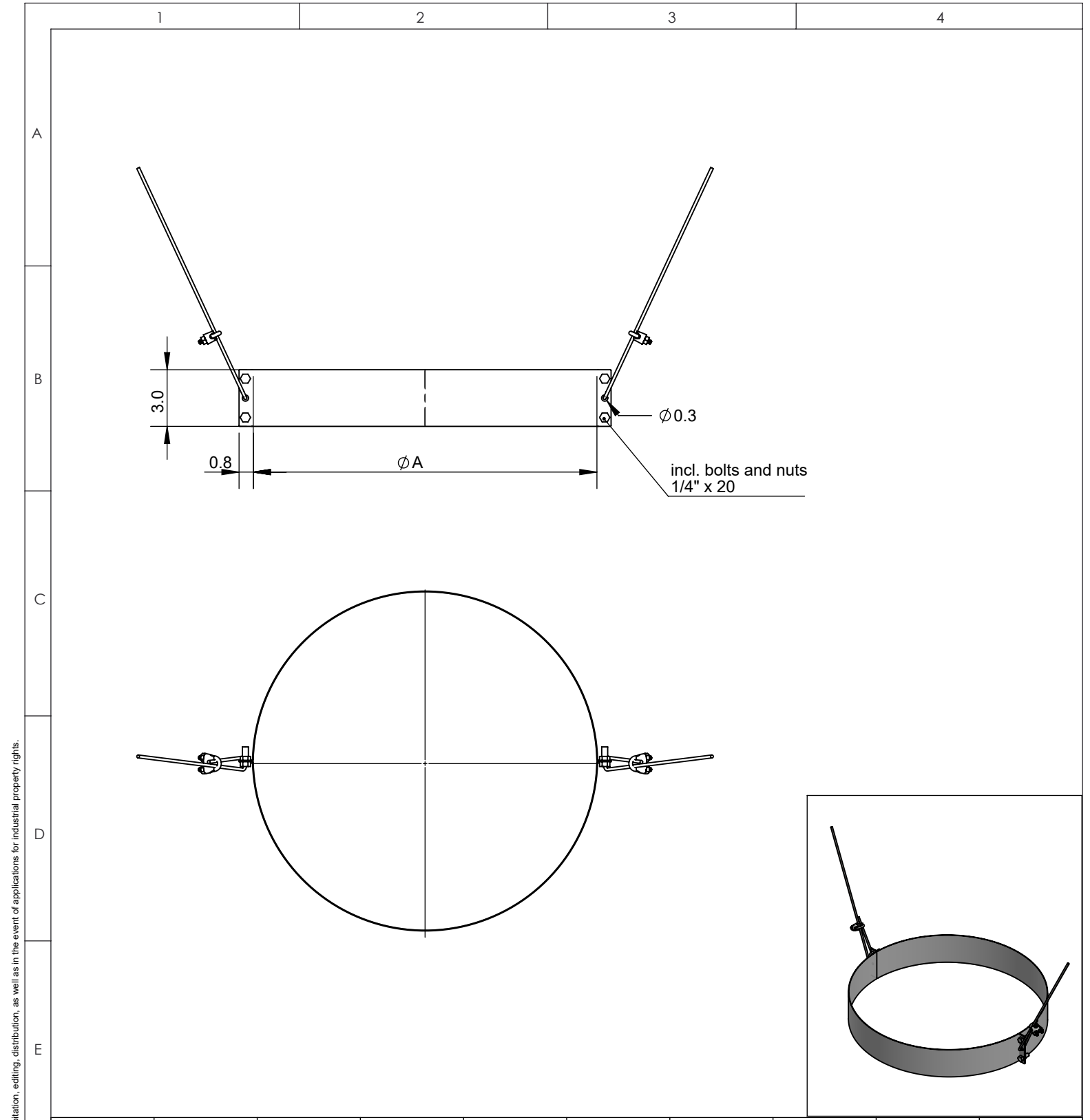
D

E





© NAKS Inc. All rights reserved, also regarding any disposal, exploitation, editing, distribution, as well as in the event of applications for industrial property rights.

\emptyset	10	11	12	13	14	16	18	20	22	
A	10	11	12	13	14	16	18	20	22	
material: inside/outside	304	surface: inside/outside	BA	inch / lb						scale
revisions-no.				description						format
				date	name	87 Degree Elbow w/ Access				US LETTER
				drawn by						sheet
				checked by						
				approved by		code				
				modified by		SWNAKSØ-87EA				
						drawing no.				

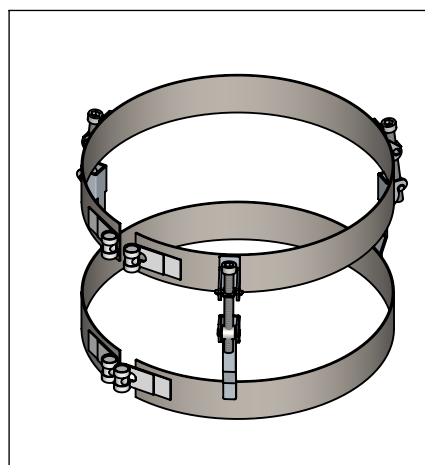
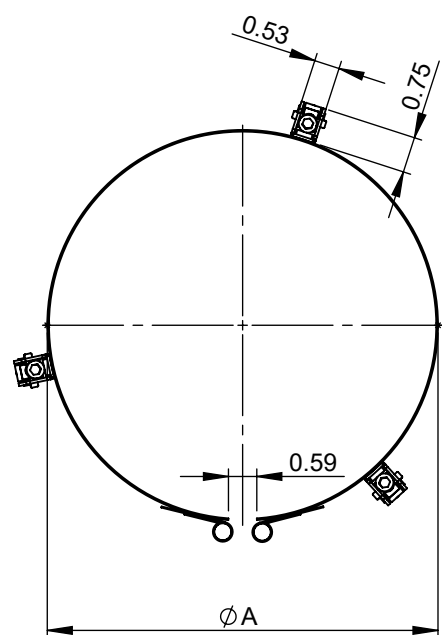
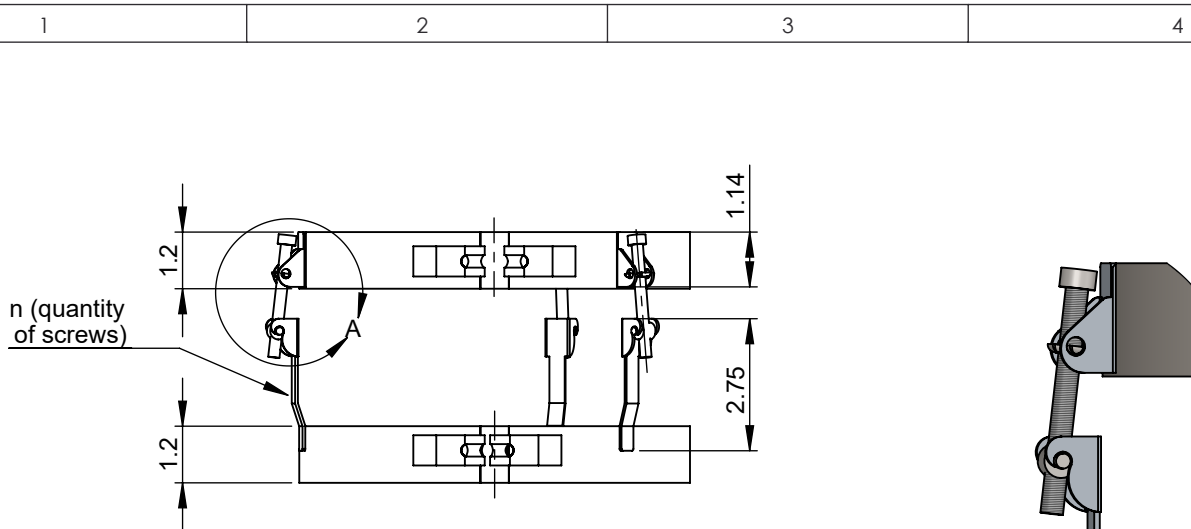


Ø	10	11	12	13	14	16	18	20	22
A	10	11	12	13	14	16	18	20	22

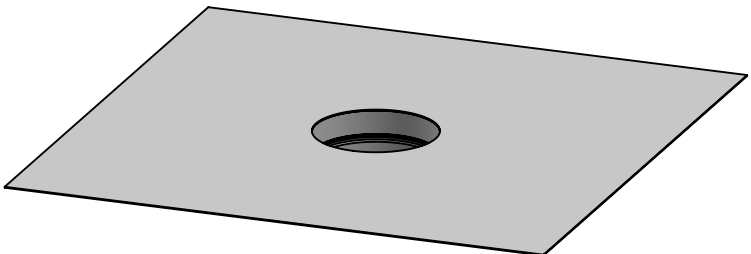
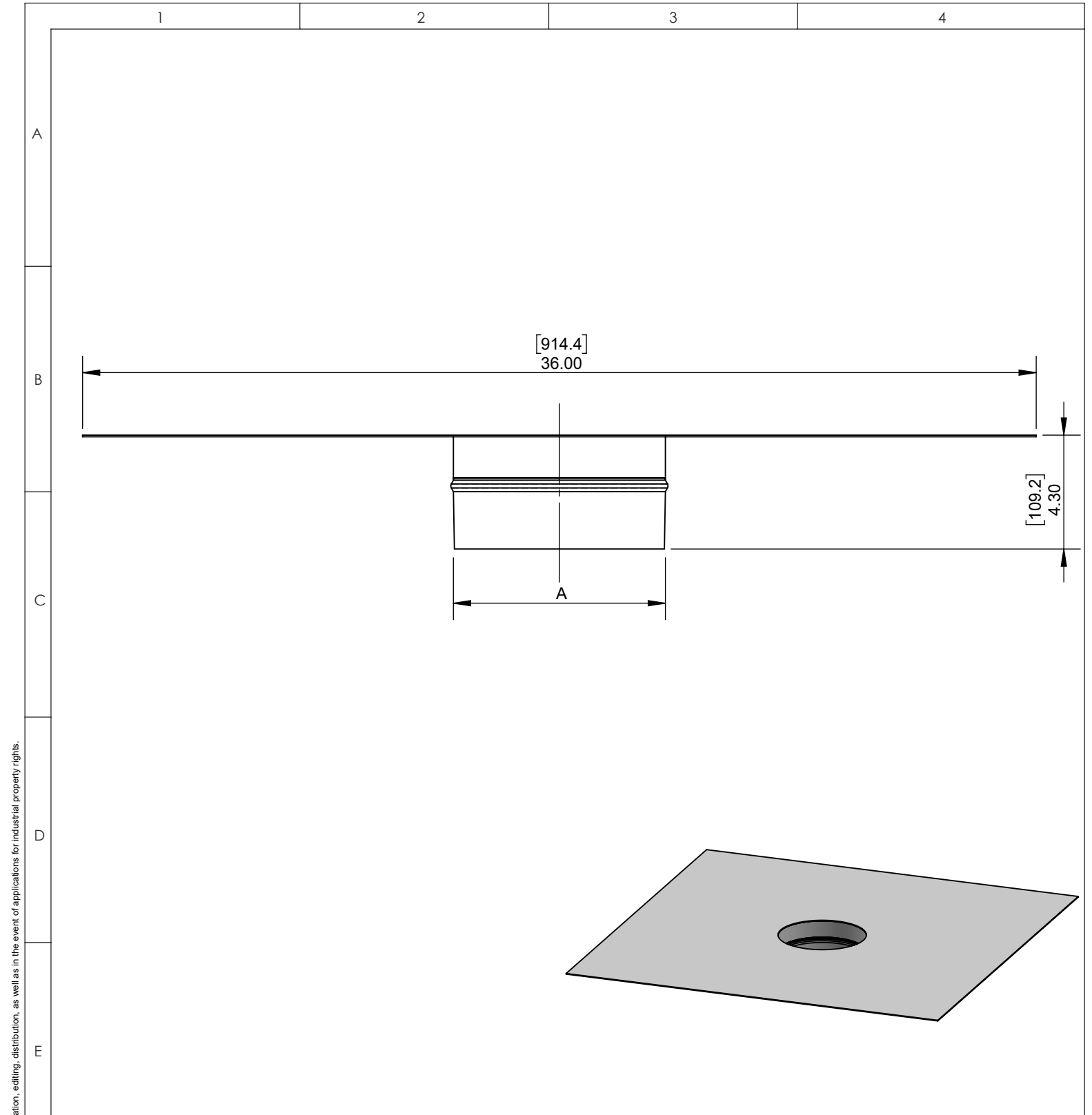
F	material: inside/outside	304	surface: inside/outside	BA	inch / lb		 NORTH AMERICAN KITCHEN SOLUTIONS INCORPORATED	scale
			revisions-no.		A			format
			date	name	description			US LETTER
			drawn by					sheet
			checked by					
		approved by				code		
		modified by				SWNAKSØ-LSB		
						drawing no.		



© NAKS Inc. All rights reserved, also regarding any disposal, exploitation, editing, distribution, as well as in the event of applications for industrial property rights.

© NAKS Inc. All rights reserved, also regarding any disposal, exploitation, editing, distribution, as well as in the event of applications for industrial property rights.



\varnothing	10	11	12	13	14	16	18	20	22					
A	10	11	12	13	14	16	18	20	22					
material: inside/outside	304	surface: inside/outside	BA	inch / lb						scale				
				revisions-no.						A		format		
				date	name	description				US LETTER				
				drawn by		code SWNAKSØ-KLC				sheet				
				checked by						drawing no.				
				approved by										
				modified by										



	Ø	10	11	12	13	14	16	18	20	22	
	A	10	11	12	13	14	16	18	20	22	
F	material: inside/outside	304		surface: inside/outside	BA		inch / lb				scale
					revisions-no.				 NORTH AMERICAN KITCHEN SOLUTIONS INCORPORATED	format	
					date	name		description		US LETTER	
					drawn by					Fan Plate Adapter - End 36"x36"	sheet
					checked by						code
				approved by			SWNAKSØ-FPE:36x36				
				modified by			drawing no.				

© NAKS Inc. All rights reserved, also regarding any disposal, exploitation, editing, distribution, as well as in the event of applications for industrial property rights.